

INSTALLATION INSTRUCTIONS

DESCRIPTION: Warn VRX Winch Wiring Kit

PART NUMBER: BAR-F28N0-T0

MODEL: 2020 Wolverine X4 and X2



⚠ WARNING

Please read and understand these instructions completely before installation to avoid possible injury, or damage to the accessory or vehicle.

WARRANTY INFORMATION:

In the United States, see your Yamaha dealer for a copy of the Yamaha Genuine Parts and Accessories Limited Warranty.

NOTICES:

This installation requires a torque wrench and should be performed by an authorized Yamaha dealer or other qualified technician.

DEALER OR INSTALLER:

These instructions contain important information for future reference and *must* be given to the customer.

Note: This winch wiring kit is designed for the Warn VRX 2500 and VRX 3500 line of winches.

Do not use with the Warn VRX 4500 line of winches because it will void the warranty.

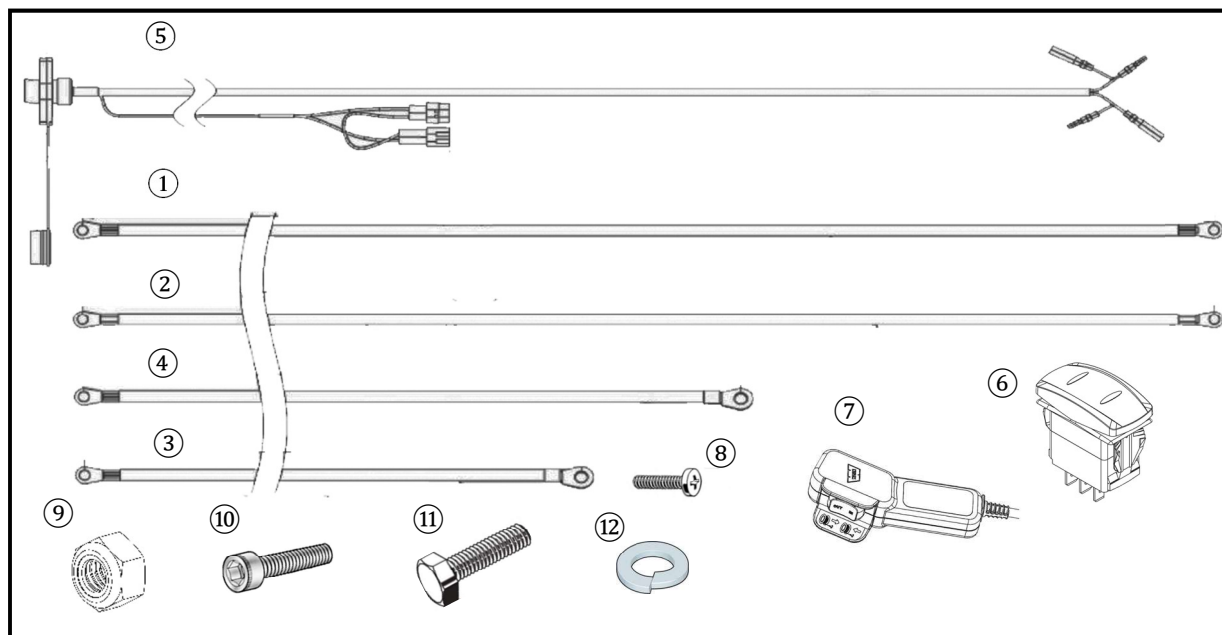
Hardware listed ⑨ through ⑫ is used to attach FR. Winch Mount Kit BAR-F28M0-V0.

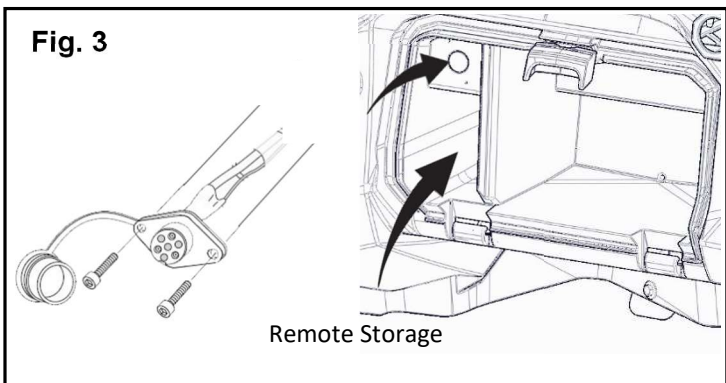
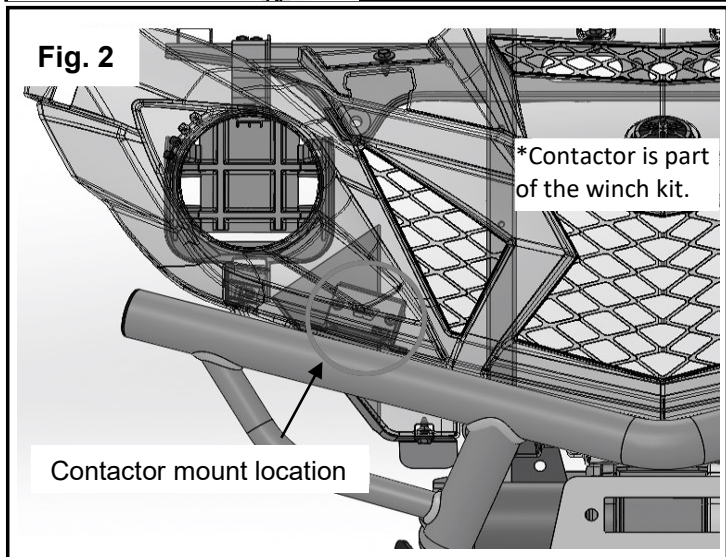
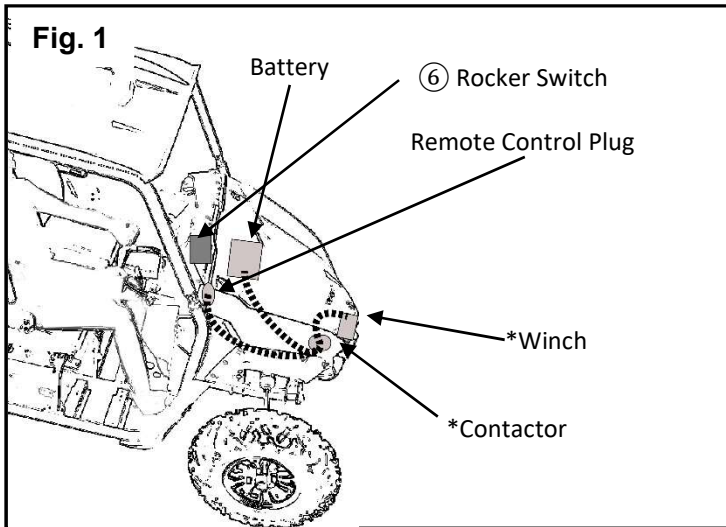
⑨ and ⑩ attach to the Fairlead. ⑪ and ⑫ attach the winch. Torque mounting hardware to 16Nm (1.6 m-kg or 12 lb-ft).

PARTS LIST:

No.	Part Number	Description	Qty
--	BAR-F28N0-T0	Warn VRX Winch Wiring Kit-Winch wiring	--
①	BG4-F637E-T0	Control Wire 1 (Red)	1
②	BG4-F637F-T0	Control Wire 2 (Black)	1
③	BG4-F637J-T0	Control Wire 3 (Blue)	1
④	BG4-F637K-T0	Control Wire 4 (Yellow)	1
⑤	BAR-H7292-V0	Remote Control Harness	1
⑥	BAR-H259E-V0	Panel Rocker Switch	1
⑦	BAR-H259F-V0	Hand-Held Switch	1
⑧	BG4-F4473-V0	6MM screw	2
⑨	BAR-F3393-V0	M10 x 1.5 Nylon Locking Nut (Fairlead Hardware)	2
⑩	BAR-F464C-V0	M10 x 1.5 x 20mm Socket Head Bolt (Fairlead Hardware)	2
⑪	BAR-E1026-V0	M8 x 1.25 x 25mm Hex Head Cap Screw (Winch Hardware)	4
⑫	92902-08100	M8 Lock washers (Winch Hardware)	4

* Part supplied with kit only and not available separately.





PREPARATION:

- Park the vehicle on a secure and level surface.
- Clean all mounting surfaces before beginning installation.
- Remove the firewall. It is held in place by four captive washer bolts and five Allen button head screws. Note the tubing locations for reinstallation. Retain all hardware for reuse.
- Disconnect the battery terminals from the battery.

INSTALLATION:

1. Install boots supplied in the kit to all eight ring terminal connectors in the kit. (Fig. 6)
2. Install the ① Red Cable to the (+) terminal on the Contactor. See Fig. 4 for specific Contactor terminal locations.

Note:

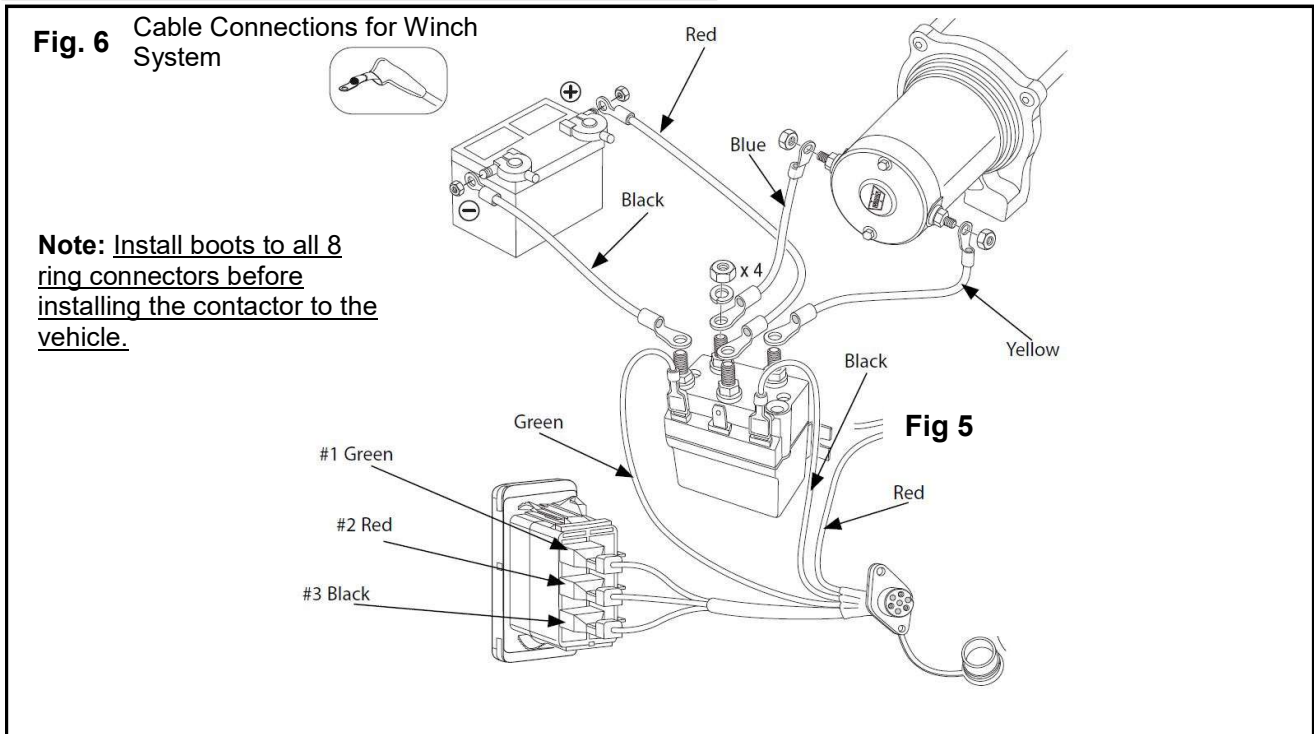
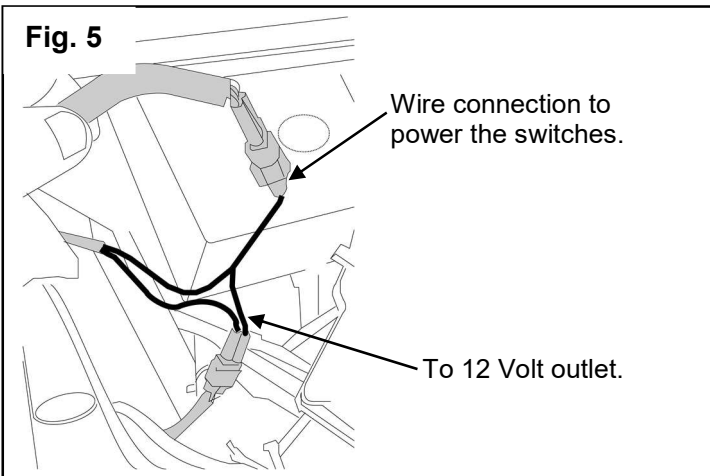
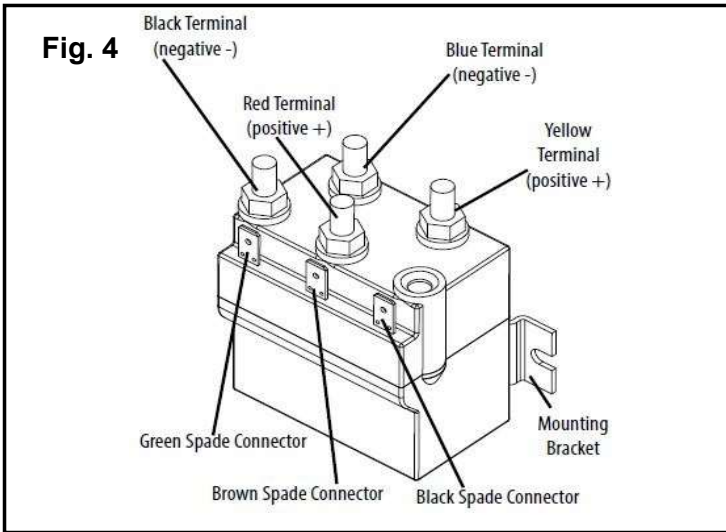
- The Contactor is color coded for the terminal connections.
3. Install the ② Black Cable to the (-) terminal on the Contactor. (Fig. 4 and 6)
 4. Connect the ③ Blue (-) and ④ Yellow (+) wires to the Contactor. Connect those wires to the Winch and route up and over the headlight buckets. Use cable ties to secure the two wires to the vehicle.
 5. Route the ① Red and ② Black wires to the battery location. Leave the battery disconnected. Do not attach the wires to the battery until Step 17.
 6. Mount the Contactor using the hardware and instructions from the winch kit. Fig. 2 shows an acceptable location with the terminals facing the firewall. Position Contactor and mark drill holes. Working from underneath drill two 4mm (5/32") mount holes

Note:

- If necessary, coil excess wire and use wire ties to secure the cables to a secure location on the frame.

Install the Remote Connector

7. The ⑤ Wiring Harness in this Winch Wiring Kit includes the connector for the Winch's remote control and for the rocker switch. The mounting hardware is included in this Kit.
8. You'll see a 7/8" circle inside the glovebox. There's a place for the remote in the bottom of the glovebox. Drill a pilot hole, and then use a hole saw to cut a 7/8" hole for the connector, feed the harness through that hole. Route the harness into the electrical bay and to the Contactor. Coil up excess wire and secure with cable ties. (Fig. 3)
9. Use 2 ⑧ #6 Phillips Head – self tapping screws to secure connector to the glovebox. (Fig. 3)



10. Separate the existing connector for the 12V power outlet in the wiring bay and insert the wiring harness. (Fig. 5)
11. Remove one of the center console hole covers for the location of the rocker switch.
12. Route the ⑤ Wire Harness wires out the center console hole.
13. Attach the green, red and black wires to the back of the rocker switch. (Fig. 6)
14. Insert the rocker switch into the center console.
15. Route and connect the black and green wire to the Contactor. See Fig. 4 to note the wire locations.
16. Reinstall the firewall with the stock hardware and torque to 8Nm. (5.9 ft-lb and 0.8 m-kg)
17. Reconnect the battery terminals and winch wires from Step 5 to the battery. (Fig. 6)

MAINTENANCE:

Periodically, check torque on all hardware. If loose hardware is found, re-torque to specification.

CARE AND CLEANING:

Clean metal and parts with a clean soft cloth and mild soap and water. Rinse and dry.

CUSTOMER SERVICE:

For further information see your Yamaha dealer.

ESTIMATED TIME TO INSTALL: 1.5 HRS